

"A Novel Topology for Harmonics Reduction in Photovoltaic Inverter"

M.tech Scholar Mr. Jeewan S. Bawane, Guide Prof. R. M. Bhombe,
Co-guide Prof. Yogesh Likhar

Guru Nanak Institute of engineering and technology, Nagpur, India

Submitted: 10-06-2021

Revised: 21-06-2021

Accepted: 24-06-2021

ABSTRACT :This paper analyzes and compares two approaches for dc to ac power conversion. First approach uses cascaded H-Bridge Inverter and second uses new Multi-level Scheme having Level Modules and H-Bridge. The simulation is done in SIMULINK/ MATLAB Software. The Total Harmonic Distortion in output load voltage, active Power and reactive Power produced by both the approaches are compared. It is shown that THD produced in second scheme is better upto a certain stages of the first scheme. And the available active and reactive powers are larger for the second scheme.

I. INTRODUCTION :

Rising fuel costs, increasing concerns for global climate change and a growing worldwide

demand for electricity has led to global effort towards increasing use of renewable energy sources such as solar, wind, biomass etc. In case of solar PV the energy is harnessed in dc form. This dc power is converted into ac form and then fed to the grid or used in isolated load. Various methods are available for dc to ac conversion. Multilevel Inverters have gained popularity in recent times. The power quality gets increasingly better with the no. of levels in the output wave. Two approaches for dc to ac conversion are discussed..

A single stage H-Bridge Inverter is shown in Fig. 1. A cascaded multi-level inverter consists of a number of H-Bridge inverter units with separate dc source for each unit and it is connected in cascade or series as shown in Fig. 2.

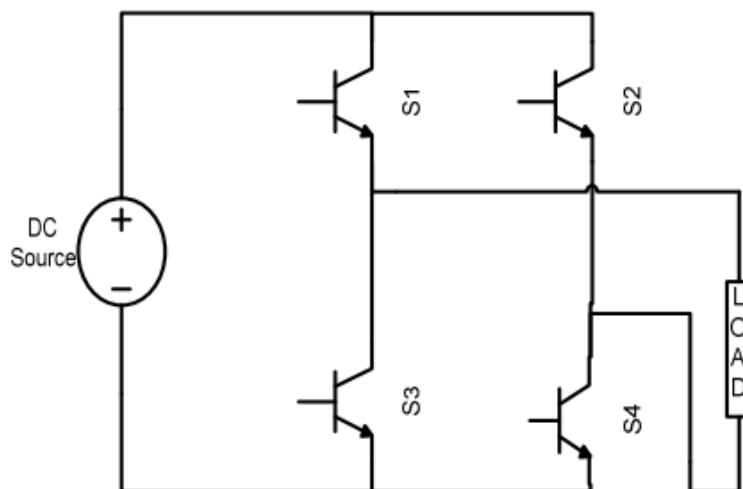


Fig:1single stage H-Bridge Inverter

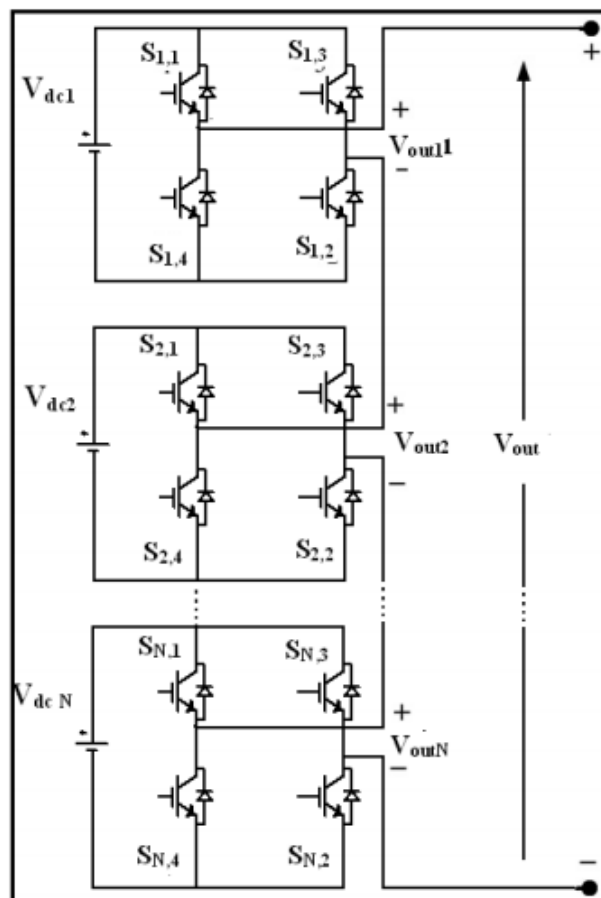


fig-2 A cascaded multi-level inverter

The THD, Active Power, Reactive Power are calculated for single stage as well as multi stage H-Bridge inverter. SIMULINK/MATLAB software is used for simulation of the circuit. The variation of delay angles α result in variation of THD in load voltage. For a particular delay angle THD is found to be minimum. Further THD reduction is achieved by increasing the stages of the converter. The simulation will be done upto 8 stages and the THD obtained in voltage is continuously decreasing with the stags.

II. LLITERATURE REVIEW:

Inordertoobtainmultileveloutputvoltage,singlephasemultilevelinverterforusingasavoltageharmonic source, aswitchingstrategybasedoncalculating switching angles is explained. Simulation and experimental resultsof multilevelvoltage waveforms are given for 15, 31 and 127 levels. The proposed topology produce output voltages with low THD values as well as produce therequiredharmonic components on the output voltage. The output voltage as well as therequiredspecific harmonics controlled by angles. With therequiredharmonic components, the proposed inverter structure is simulated

for various functions. Proposed inverter structure realize simulated functions and THD values of the output voltage waves [1]. In the area of high-power medium-voltage energy control, emerged recently as a very important alternative is Multilevel inverter technology. This paper discussed Emerging topologies like asymmetric hybrid cells and soft-switched multilevel inverters [10]. The most important topologies like diode-clamped inverter (neutral-point clamped), capacitor-clamped (flying capacitor), and cascaded multicell with separated DC sources are represented here. Most relevant control and modulation methods developed for this family of converters like Multilevel sinusoidal pulse width modulation, multilevel selective harmonic elimination, and space-vector modulation presents in this paper [2]. Multilevel incommutated inverters for renewable energy system shave gained popularity in recent times, especially in the distributed generation where an number of batteries, fuel cells, solar cell, and micro-turbines can be connected through a MLC to feed the grid [7]. Multilevel incommutated inverters can synthesize higher output voltage levels and can generate near sine

soidal voltages have gained popularity in recent times, especially in the distributed generation where a number of batteries, fuel cells, solar cell, and micro-turbines can be connected through a MLC to feed the grid. This paper presents Analysis of a grid connected MLC as an inverter having variable dc sources (which can be the output of wind

Two approaches for dc to ac conversion

A. Cascaded H Bridge Inverter

Conventional cascaded multilevel inverter is one of the most important topologies in the family of multilevel and multi-pulse inverters. The cascade topology allows the use of several levels of

DC voltages to synthesize a desired AC voltage. The DC levels are considered to be identical since all of them are fuel cells or photovoltaic, batteries, etc. H-Bridge Inverter consists of four switches, a dc source and a load (Isolated or Grid) across the two arm of H-Bridge. Each switch conducts for a period of 180°. The gate pulses for diagonal switches are identical.

A single stage H-Bridge Inverter is shown in Fig. 1. A cascaded multi-level inverter consists of a number of H-Bridge inverter units with separate dc source for each unit and it is connected in cascade or series as shown in Fig. 2.

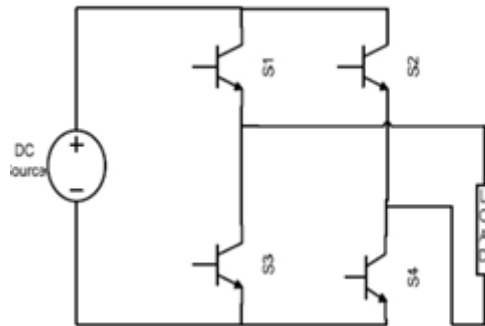


Fig. 1. Single stage H Bridge Inverter

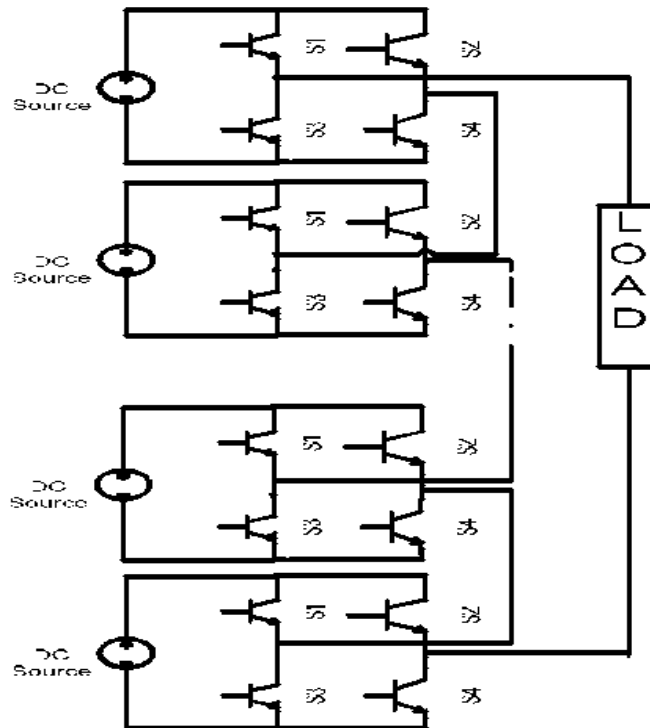


Fig.2. Cascaded Multilevel H-Bridge Inverter

The THD, Active Power, Reactive Power are calculated for single stage as well as multi stage H-Bridge inverter. SIMULINK/MATLAB software is used for simulation of the circuit. The variation of delay angles α result in variation of THD in load voltage. For a particular delay angle THD is found to be minimum. Further THD reduction is achieved by increasing the stages of the converter. For single stage, minimum THD of 48.47% is found for $\alpha=30^\circ$. While for second stage minimum THD is 29.49% for $\alpha_1=45^\circ, \alpha_2=90^\circ$.

If the no. of stages of the converter is increased, the level of the output wave is also increased. In this case, the no. of level is one higher than the no. of stages.

For single stage, output has two levels. For two stages, output has 3 levels and so on. Fig. 3 and Fig. 4 show 3 level and 8 level output voltage waves and load currents respectively. Let the input voltage for single stage $V=7$ Volt, for two stage $V=14$ Volt and so on. The simulation is done upto 8 stages and the THD obtained in voltage is continuously decreasing with the stages

Now we have completed work upto 3 stages

Project Methodology:

The proposed multilevel inverter circuit consists of Level Module, H-Bridge inverter, Solar PV Module as dc voltage source and RL load. This load may be an isolated RL or a grid as shown in Fig. 4. The no. of levels of output voltage wave

depends on the no. of level module used in the circuit.

No. of output levels

$$n = 2(m+1) - 1$$

where m is the no. of Level Module used.

The no. of switches used in the circuit

$$n_s = 2m+4$$

The input dc voltage fed to kth module varies with particular module number as:

$$V_k = 2(k-1) \cdot V_d$$

Where $k = 1, 2, 3 \dots m$.

In the proposed circuit, 3 Level modules (LM), 1 HBridge inverter, and 3 Solar PV Arrays of output voltage $V_1 (V_d)$, $V_2 (2V_d)$ and $V_3 (4V_d)$ are used. Output wave has 15 levels and the total no. of switches used are 10. Total dc voltage used in the circuit is $7V_d$. The gate pulse for first LM switch Q1 is a SPWM pulse having 7 pulses in each half cycle. To find the gate pulses for second LM switch Q2, this pulse is given to the clock of a negative edge triggered toggle flip flop. Further the pulses thus obtained are given to the clock of another toggle flip flop to get gate pulse for third LM switch Q3. The gate pulses for Q1, Q2 and Q3 are shown in Fig. 6.

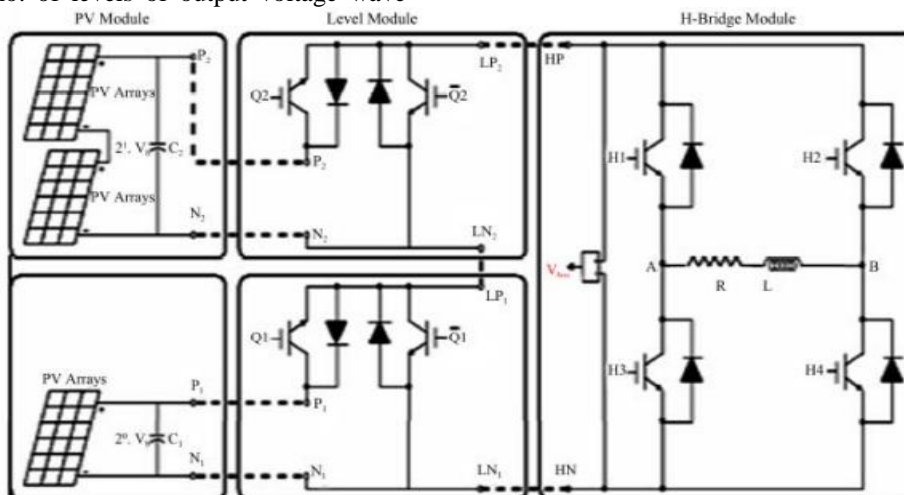


Fig. 4 Proposed Multilevel circuit

III. SIMULATION & RESULT :

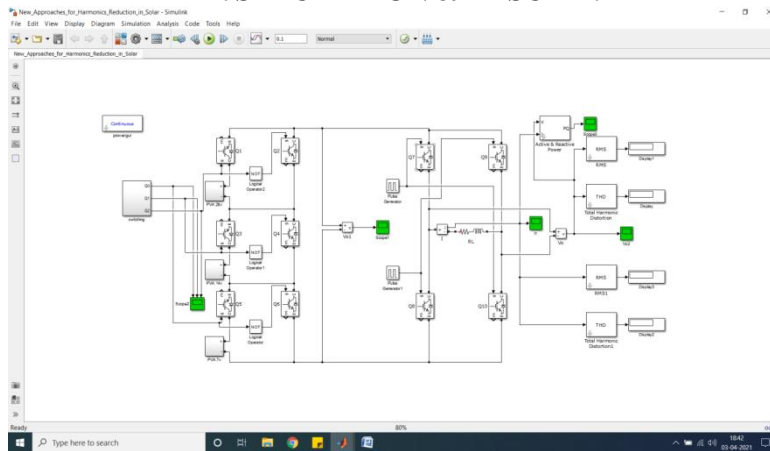


Fig.4. MATLAB modul for propose circuit

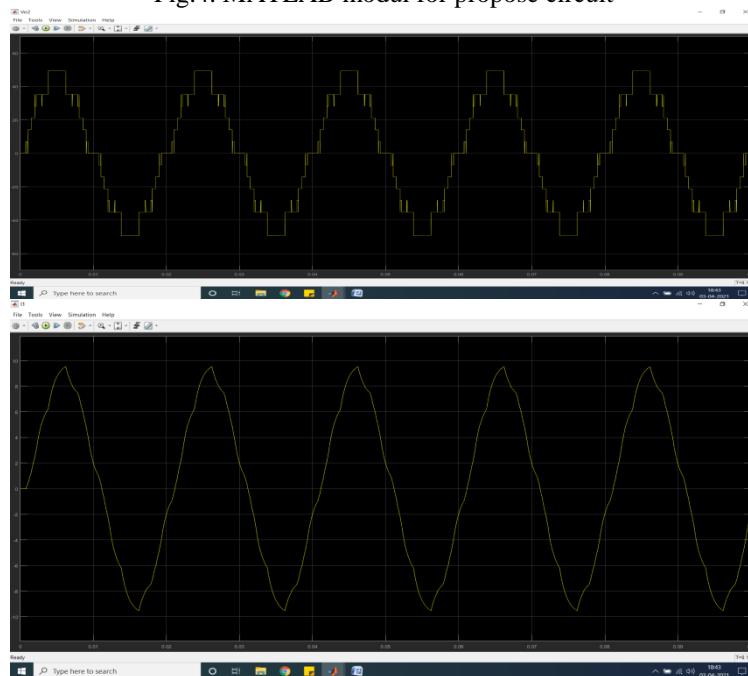


Fig5. Load Voltage & Load Current for three level in MATLAB Simulation

IV. CONCLUSIONS:

In this paper, THD in load voltage, Active Power and Re-active Power are evaluated for a proposed inverter circuit with Solar Panel as a dc Source and also a battery using SIMULINK/MATLAB software. The performances are compared for different power factor loads keeping the dc input voltage same without using the filter. In both cases, THD present in load voltage may always be reduced below 5% by the use of filter. The THD obtained from proposed inverter scheme is comparable to THD obtained from conventional inverter scheme but the no. of switches required is less in the proposed scheme. The overall observation is that in the range of pf from 0.8 to 0.85 the performance of PV panel

connected inverter is superior to that with pure dc (battery) as input source.

REFERENCES

- [1]. S. J. Lee, H. S. Bae and B. H. Cho, "Modeling and control of the single-phase photovoltaic grid-connected cascaded H-bridge multilevel inverter," 2009 IEEE Energy Conversion Congress and Exposition, San Jose, CA, 2009, pp. 43-47, doi: 10.1109/ECCE.2009.5316126.
- [2]. M. S. Bin Arif and S. M. Ayob, "A novel single phase five-level photovoltaic based grid-connected inverter," 2014 IEEE Conference on Energy Conversion (CENCON), Johor Bahru, 2014, pp. 325-

- 330, doi: 10.1109/CENCON.2014.6967524.
- [3]. A. Tariq, M. A. Husain, M. Ahmad and M. Tariq, "Simulation and study of a grid connected multilevel converter (MLC) with varying DC input," 2011 10th International Conference on Environment and Electrical Engineering, Rome, 2011, pp. 1-4, doi: 10.1109/EEEIC.2011.5874704.
- [4]. N. Karnik, D. Singla and P. R. Sharma, "Comparative analysis of harmonic reduction in multilevel inverter," 2012 IEEE Fifth Power India Conference, Murthal, 2012, pp. 1-5, doi: 10.1109/PowerI.2012.6479521.