

## Robotic Control System Car Based on IoT

Sweety Pradhan<sup>1st</sup>, Asst.Prof. Rahul Kumar Chawda

<sup>1,2</sup>Dept. of Computer Science, Kalinga University, Naya Raipur, Raipur, Chhattisgarh 492101, India

Date of Submission: 28-07-2020

Date of Acceptance: 12-08-2020

### I. INTRODUCTION

A mechanical car is a programmed vehicle that is intended to go between goals with none human intercession. About 1.24 million people have been slaughtered in streets every year all through the planet because of mishaps. The independent framework could be a response to the current disadvantage. Security, blockage, worth and stopping issues are settled by the structuring of mechanical car.

1) **Safety** – Unlike us, automated vehicles can never become inebriated, disappointed, napped off. Consequently, mechanical vehicles are more secure than people.

2) **Congestion** – These days there is a tremendous traffic from one highlight the other point. Driverless vehicles will go on escorts inches separated with none unneeded spots of the foot pedal to channel in reverse through rush hour gridlock and make baffling, trivial hold ups.

3) **Worth looking for protecting and keeping up a car is expensive.** In this manner why not let another person do it! The since quite a while ago run of vehicles is most likely going to consolidate sharing plans and sensible renting decisions. Vehicles are extra beneficial rather than defrayment ninety nine% of their carries on with unmoving out side your moves.

4) **Parking** – A decent traffic framework in every case needs a decent stopping framework. The point of this paper is to naturally drive and park the vehicle without the driver.

### II. LITERATURE SURVEY

Parth Verma, did an exploration with the title "The Google Autonomous vehicle". The Google self-ruling car was anecdotal by Sebastian Thrum UN organization was the co-innovator of the street read planning administration. The upside of this examination was that it diminishes human mistake though driving and end indecreased danger of mishap happening. The imperatives of this examination square measure once the car is going at rapid that over 100mph the car can barely have the option to separate the items on the streets. 2. Michal

Ruziicka and Peter Masek, did an exploration with the title "Constant Visual Maker Detector and huntsman bolstered pc Vision for Semi-independent Convoy Purpose". This investigation depends on predominant the semi- independent guard by thinking of vision system. The advantages of this investigation are low force utilization and conservative item esteem. The requirements of this investigation at exploitation 320x240 low goal of caught outlines which can cause the outcome off base. Higher goal can't be utilized in view of low worth force gadget that doesn't demonstration continuously process because of low casing. Anyway this drawback is tackled by Open CV improvement.3.M.NaveenKumardidanexploration on "Open CV for Computer Vision Applications". The motivation behind picture preparing is to assist the PC with understanding the substance of a picture. Open-

CV contains distinctive mechanical assemblies to deal with PC vision issues. It contains low level picture planning limits and raised level computations for following area, feature organizing and following. Open-CV is a library of programming limits with respect to the most part utilized for picture arranging. It gives DE-certainty standard API to PC vision applications. We can manage different consistent issues utilizing picture preparing applications. 4. "The guideline use of IR sensors in mechanical independence". IR sensor is for deterrent avoidance. Taking everything into account, their inherently snappy response is astoundingly charming for updating the steady movement of an adaptable Robot in, for instance, map building endeavors. Along these lines, apparently the improvement of exceptional disappointment cost IR sensors prepared to exactly Measure partitions with diminished response times justifies looking at. In this paper, another IR sensor reliant on the light force Back-scattered from articles and prepared to measure partitions of up to 1 m is portrayed. Moreover, the sensor model is delineated and the typical errors in partition checks are poor down and illustrated.

5. Mirjana Maksimovic did an assessment on "Raspberry Pi as Internet of Things gear

:Performances and Constraints". Entering the hour of Internet of Things, the utilization of small, unassuming and adaptable PC gear that permit end-client programming gets present. One of them, considered in this paper, is the Raspberry Pi, absolutely customization and programmable little PC board. Similar assessment of its key fragments and introductions with some of stream existing IoT model stages, the Raspberry pistaysa reasonable PC with its sufficiently use in various degree of examination applications in IoT vision. 6. Another investigation was through with the title "Self-sufficient machine robot with PC vision framework". The upside of this investigation is that the undertaking has a few alternatives like GPS, estimating gadget and compass which may use for data assortments purposes higher exactness results accomplished with higher goal and recurrence. Beside that, the robot can't work at dim environmental factors. The root could have drawback with the development that can't maintain a strategic distance from the impediments with right turning edge of the robot

### III. ISSUE SYSTEM

Keeping in see, the current self-ruling vehicle appears to be exceptionally constrained as they also have numerous downsides. The basic issues looked in surviving framework is to be specific detecting innovation mediation, mishap obligation authority, less security, Wireless range is excessively little, No video reconnaissance framework. It doesn't work securely in some climate condition and group route. Taking not many of these defects into thought, here a framework is intended to persevere through these blemishes. This framework identifies impediments and stops suddenly as it recognizes a deterrent. The arrangement of video spilling, ready message will likewise be available in the structured framework.

### IV. TARGETS

To examine and structure a mechanized vehicle model, which persevered through not many of the above expressed imperfections by utilizing a GUI based control for development of the computerized vehicle model and video observation with the goal that the client gets a thought of what is available in the method of movement of the robotized vehicle. This paper means to create a mechanized vehicle. The robotized vehicle explores itself. At the point when a hindrance is distinguished in forward movement a video is recorded and put away in cloud drop enclose and on the off chance that an obstruction identified at in reverse, at that point an alarm message is sent to client. The sub

targets are as beneath: It assists with decreasing the memory load, Video reconnaissance is executed, Wireless range is expanded, it likewise produce ease and low force utilization self-ruling vehicle. The fundamental objective of self-driving robotized vehicle is to maintain a strategic distance from mishaps.

### V. PROPOSED SYSTEM

In our proposed framework, we actualized Video review. Where the video examination is the procedure of evaluating a circumstance, a zone or an individual. This by and large happens in an aggressor situation where assessing of outskirts and foe segment is fundamental to a nation's security. With propels in innovation throughout the years, robots are the main source to screen distant regions instead of people. So by thinking about this specific point, we are actualizing a mechanical vehicle as robot is created which is utilized for video reviewing and evaluating which is controlled through a GUI interface. The control instrument is given a video transmission office. The video transport is for all intents and purposes accomplished through fast video transposal.

At first, the robot will be fixed with a ultrasonic sensor which identifies the hindrances, records the video through the camera for five seconds and move it to the cloud drop box. It is likewise fixed with IR sensor which permits it to identify the hindrances moving toward the vehicle from behind. It will distinguish an item and it will alter its course. It requires a far off PC alongside the web office at the far off areas. In the event that web network isn't accessible still the unit can be utilized utilizing Wi-Fi. It actualizes a framework which is compact, minimal effort and having less upkeep.

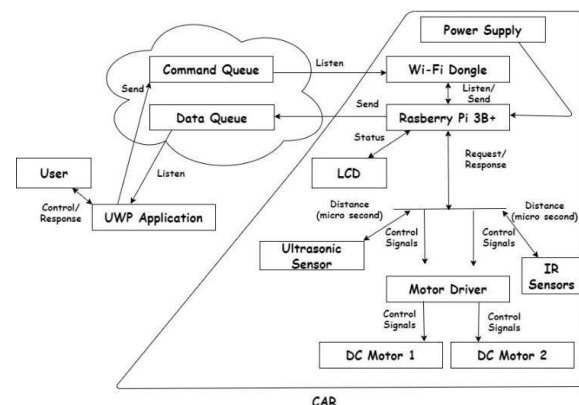


Figure: Proposed System Architecture

In our proposed engineering, the client utilizes the GUI which is created by utilizing the

UWP application to give inputs and to get the yields. The orders given by the client are right off the bat put away in the order line. At the point when the gadget is prepared to get, the orders are brought by Raspberry Pi utilizing the web arrange gave by the hotspot. The particular execution happens and the reaction is sent to the GUI by the Raspberry Pi through the information line present in the cloud. Whatever might be the order sent to the vehicle, for each order there is a particular reaction which either speaks to that the order has been satisfied or it has neglected to satisfy the order. Any update or information with respect to the vehicle is appeared in the client application. In this task ultrasonic sensor is being actualized at the front of the vehicle and this assists with recognizing the snag in the forward movement of the vehicle. IR sensor is being executed at the rear of the vehicle, which assists with recognizing the deterrent drawing closer the car.

## VI. PHILOSOPHY

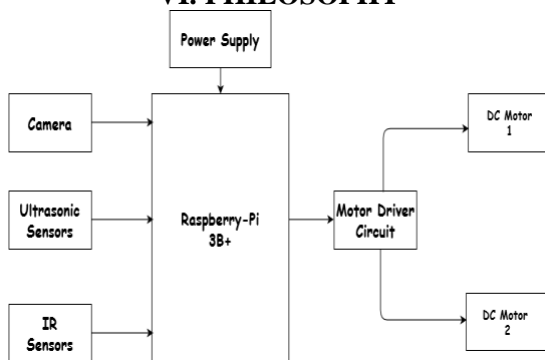


Figure: Block diagram

The blend of Raspberry Pi, web camera and ultrasonic sensors helps in getting the info. PC handles different errands i.e., accepting information from Raspberry-pi, object recognition, and sending directions to the engine driver circuit to explore. A ultrasonic sensor identifies hindrances and aides in taking preoccupation by means of the engine driver circuit. The point of this undertaking is with the end goal that Camera should record the video for 5 seconds and stores in the cloud drop box. Once after an obstruction recognized from IR sensor present behind the vehicle, an alarm message sent to the client's versatile number. Open CV goes about as mentor and locator.

## VII. CALCULATION

Step 1: start  
 Step 2: Forward movement If (distance<15cm)  
 Obstacle distinguished Stop vehicle Record video for 5

seconds Upload video to cloud dropbox  
 Step 3: turn right Goto stage 2 Step 3: turn left Goto stage 2

Step 4: IR SENSORS (identifies deterrent from inreverse) If (distance<15cm) Detects snag Sends sms to versatile Stops vehicle Goto stage 2

This paper points in identifying the hindrance when the vehicle is moving. The vehicle consequently stops when it recognizes deterrent utilizing the ultrasonic sensors, camera joined aides in recording the video for few moments once the obstruction is identified and take redirection likewise. The video which is recorded is put away in the drop box. When the hindrance is distinguished either in forward or in reverse heading an alarm message is sent to the client versatile number. The video is spared in could can be seen by the client when he wants for it. Anticipated yields:

- 1) Forward movement
- 2) Right movement
- 3) Left movement
- 4) Stops
- 5) Forward deterrent recognition and video transferring.
- 6) Backward deterrent recognition and sending sms to portable.

## VIII. CONCLUSION

In our task we have actualized a self-governing mechanical vehicle which helps in development of the vehicle naturally. The vehicle moves in forward movement once the force is given. In the forward movement in the event that a deterrent is recognized, at that point a video is recorded for 5 seconds. This video is put away in the pc just as the video is transferred to the cloud drop box. In forward movement for impediment identification we have utilized ultrasonic sensors. In reverse heading we have utilized IR sensor for snag discovery. In the event that the obstruction is recognized by IR sensor, at that point a sms is sent to the client's portable number. Along these lines the movement of the self-governing vehicle works.

## REFERENCES

- [1]. Microprocessors and microcontrollers by N. Saravanan, s jeebanathan
- [2]. "Fundamental of Microprocessors & Microcontrollers", Dhanpat Rai Publication, Seventh Edition, and ISBN: 978-81-89928-60-5 by B.Ram.
- [3]. M. C. Lam, A. S. Prabuwno, H. Arshad, C. S. Chan, "A Real-Time Vision-Based Framework for Human Robot Interaction", 7066 Lecture Notes in Computer Science (Part 1), 2011, pp. 257-267, IVIC 2011.

- [4]. “Studies on Forward Motion of Five LegsRobot”, Journal Code: L0318B 2005, 2P1-S-065, 2005 by Maikoto T., Koji Y., and SatoshiE
- [5]. “Sensor System of a small BipedEntertainment Robot”, by T Ishida and Y.Kuroki,
- [6]. J M.A. Alvarez, A.M. Lopez & R. Baldrich, Illuminant Invariant Model-Based Road Segmentation. Intelligent TransportationSystems, IEEE Transactions on, 12, 2008, pp 184–193
- [7]. Proceedings of Cooperative IntelligentRobotics in space-II SPIE vol. 1612, Boston, Nov1991.
- [8]. Open CV Documentation – Haar Featurebased Cascade Classifier for ObjectDetection
- [9]. Open CV Documentation - CascadeClassifier Training.





**International Journal of Advances in  
Engineering and Management**  
**ISSN: 2395-5252**



# IJAEM

**Volume: 02**

**Issue: 01**

**DOI: 10.35629/5252**

**[www.ijaem.net](http://www.ijaem.net)**

**Email id: [ijaem.paper@gmail.com](mailto:ijaem.paper@gmail.com)**