

# A Hardware Technique to data hiding with Multilayer Security System

Eng. Abdalgader Egreira Ali Abuhamra.

<sup>1</sup>(General Department, Technology College of Civil Aviation & Meteorology, Aspaia, Libya)

Date of Submission: 20-07-2023

Date of Acceptance: 31-07-2023

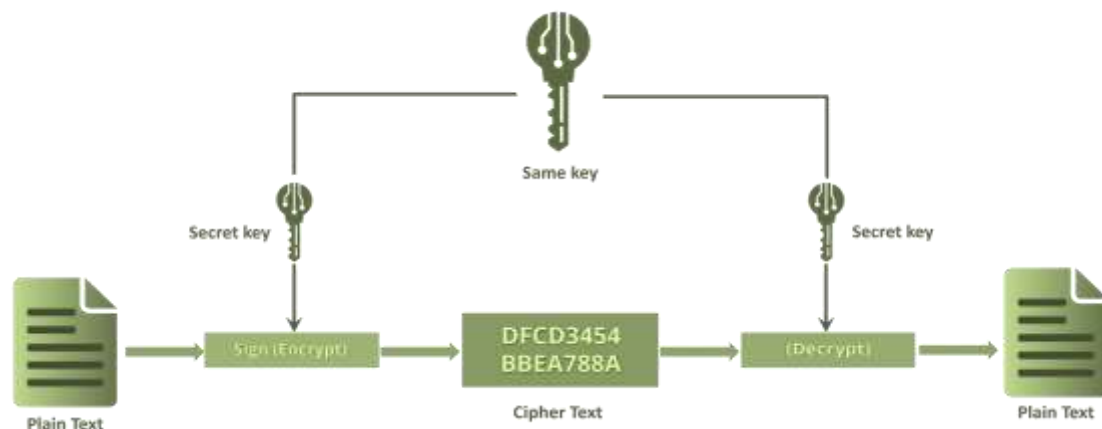
## ABSTRACT

Security of data is very important, on this behalf it a new approach to discover the security of the information. Information security plays an essential role during internet communication in today's era of technology. It is enormously important for people committing e-transactions like online shopping, money transfer etc. There are various methods that provide a means for secure commerce and payment to private communications and protecting passwords. Cryptography and Steganography are such methods. The principle of cryptography is to manipulate the information so that unintended receiver will not be able to understand however the principle of steganography is to mask the very presence of communication; it hides the existence of message. Both the techniques are widely used to prevent unintended receiver's attacks from unauthorized access. This paper proposes a new technique that provides multilayer security by integrating cryptography with steganography.

## I. INTRODUCTION

Security of data is a significant issue related to privacy as well as safety during

communication. Cryptography and Steganography are two techniques that help in sending vital information in a secret way. Cryptography manipulates the information so that unintended receiver will not be able to understand. It scrambles the information by converting message in cipher text whereas steganography mask the very presence of communication; it hides message under some media like image, audio and video. Cryptography defines as the art and science of transforming data into a sequence of bits that appears as random and meaningless to a side observer or attacker. It comes from Greek words; crypto (secret) and graphy (writing or drawing). Cryptanalysis is the reverse engineering of cryptography—attempts to identify weaknesses of various cryptographic algorithms and their implementations to exploit them. The process of converting message (plain text) into unreadable form (cipher text) is called encryption and the reverse process is called decryption. Steganography also comes from the Greek steganos (covered) and graphy (writing or drawing). Steganography can be defined as the hiding of information by embedding messages within other, seemingly harmless messages, graphics or sounds.



The first steganographic technique was developed in ancient Greece around 440 B.C. The

Greek ruler Histaeus employed an early version of steganography which involved: shaving the head of

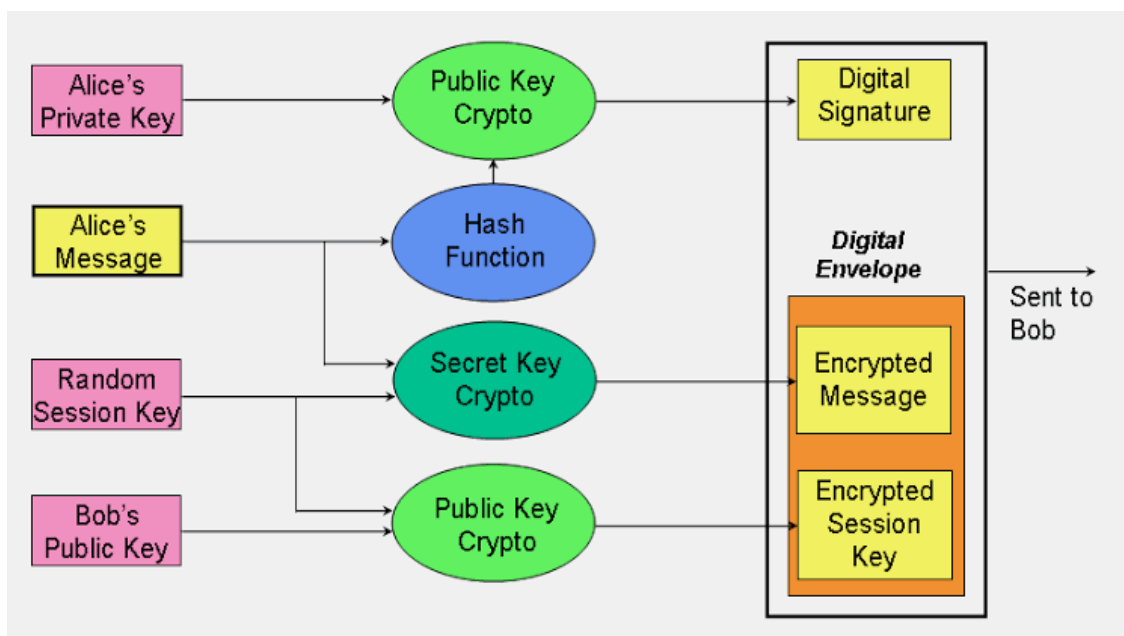
a slave, tattooing the message on the slaves scalp, waiting for the growth of hair to disclose the secret message, and sending the slave on his way to deliver the message. The recipient would have the slave's head to uncover the message. The recipient would reply in the same form of steganography.

## II. OLDER WORK

Different methods are used to hide message in media such as image steganography, audio steganography and video steganography, depending on the type of cover file used. However there are very less papers available that present multilayer security using both cryptography and steganography.

## III. NEW APPROACH

In this paper, combination of both the techniques is presented. Audio steganography is used but prior to that, message is encrypted by RSA algorithm to make communication more secure and immune to unauthorized access. Although cryptography and steganography techniques are separately used to secure data but still there is a requirement of technique that provide more level of security. Crypticsteganography is such a technique that provides multilayer security by merging cryptography with steganography. In this proposed system first message is converted into cipher text by RSA algorithm and then cipher text is hidden in audio using LSB audio steganography technique similarly at reception first cipher text is reveal from audio thereafter it decrypted into message by using RSA decryption.



So this technique combines the features of both cryptography and steganography and provides a higher level of security. It is better than either of the technique used separately.

## IV. CONCLUSION AND FUTURE SCOPE

Security has always been an important issue in communication. Crypticsteganography combines the features of both steganography and cryptography, and provides a high level of security. It satisfies the requirement of high security and robustness between sender and receiver. The steganalysis of this technique by unintended receiver is more challenging so this method can be used in areas where highly sensitive data is to

transfer through network such as Banks, RAW agencies etc. There is a wide scope of future work in this proposed method such as a new algorithm can be designed by modifying RSA, DES or AES cryptographic algorithm, modification can also be done in least significant bit embedding technique.

## REFERENCES

- [1]. Aung Pye Pye and Naing Min Tun, 'A Novel Secure Combination Technique of Steganography and Cryptography' IJITMC vol.2, no.1, Feb 2014.
- [2]. Liddell and Scott's Greek- English Oxford University Press.

- [3]. Dr.Alhamali Masoud Alfrgani .Ali, Use of Mobile Agent for smooth function of Web Services IOSR Journal of Computer Engineering (IOSR-JCE) e-ISSN: 2278-0661,p-ISSN: 2278-8727, Volume 24, Issue 5, Ser. I (Sep. –Oct. 2022), PP 10-17
- [4]. Sheikh Arfan, Solanki Kirankumar, Uttekar Vishal and Vishwakarma Neeraj, ‘Audio Steganography and Security Using Cryptography’ IJETAE vol.4, issue 2, Feb 2014.
- [5]. Robert krenn, ‘Steganography and Steganalysis’, an article Jan 2004.
- [6]. Raphael Joseph A and Sundaram V, ‘Cryptography and Steganography- A Survey’, ICTA, vol 2(3), 626-630.
- [7]. Dr.Alhamali Masoud Alfrgani .Ali .Advance Web Development Technologies IOSR Journal of Computer Engineering (IOSR-JCE) e-ISSN: 2278-0661,p-ISSN: 2278-8727, Volume 24, Issue 3, Ser. III (May. –June. 2022), PP 37-43
- [8]. Kumar Harish and Anuradha, ‘Enhanced LSB Technique For Audio Steganography’, IEEE 20180, ICCNT’12.
- [9]. Marwaha Piyush and Marwaha Paresh, ‘Visual Cryptographic Steganography in Images’ IEEE, ICCNT’10.
- [10]. Dr.Alhamali Masoud Alfrgani .Ali, Sensor-to-Sensor Networking Concepts Based on Local Mobile Agent Platform, Volume 5, Issue 7 July 2023, pp: 199-204 [www.ijaem.net](http://www.ijaem.net) ISSN: 2395-5252
- [11]. Eng.Ziad Tawfik Mostafa Shaeb, Sensor-to-Sensor Networking Concepts Based on Local Mobile Agent Platform, Volume 5, Issue 7 July 2023, pp: 199-204 [www.ijaem.net](http://www.ijaem.net) ISSN: 2395-5252
- [12]. Usha S, Kumar Satish and Boopathybagan K, ‘A Secure Triple Level Encryption Method Using Cryptography and Steganography’ IEEE, ICCNT’11.