

A Review On Stock Market Analysis And Prediction Using Machine Learning

Prof. Pallavi Sambhare, Sanskruti Satpute, Samiksha Bharti

Asst. Prof Dept of Information Technology G. H. Raisoni College of Engineering, Nagpur

Date of Submission: 05-04-2023

Date of Acceptance: 15-04-2023

ABSTRACT

In order to effectively forecast stock market values and give traders and investors relevant information about potential future trends, experts have investigated a number of different ways. Using machine learning techniques, such as artificial neural networks, to find hidden patterns and categorize data is a common technique. Instead of fitting the data to a particular model, this project suggests a new strategy that focuses on detecting underlying dynamics in the data. The research forecasts stock prices for NSE-listed businesses using machine learning architectures like Long Short-Term Memory (LSTM), Convolutional Neural Network (CNN), and a hybrid technique of LSTM + CNN. In order to assess the performance of individual architecture over a longer period, sliding windows have been used as well as root Mean Square Error for measuring performance.

Keywords: Long Short-Term Memory (LSTM), Convolutional Neural Network (CNN), and a hybrid technique of LSTM + CNN.

I. INTRODUCTION

Due to the significant potential for earnings, investing in the stock market is common. With more traders and investors, people started looking for strategies and tools to maximize their earnings while lowering risk. Sensex and Nifty are two well-known Indian stock indexes, which are the two main exchanges in India where trading occurs: NSE and BSE. The stock market price can be difficult to predict because of the constant change in prices. Over time, several forecasting models have been developed and used for the forecast of market movements. Three categories of these models are used for the division:

1. Time series analysis
2. Fundamental analysis
3. Technical analysis

- **Time series analysis**

By analyzing historical data, time series analysis attempts to forecast future events. Several disciplines, including business, economics, finance, and environmental research, employ this forecasting technique extensively.

- **Fundamental analysis**

To ascertain a stock's intrinsic value on the stock market, fundamental analysis looks at financial and economic statistics, market trends, and business management. In light of the stock's current market price, this aids investors in determining whether the stock is cheap or overvalued. Investors can decide whether or not to purchase a stock by assessing the financial health of the firm.

- **Technical analysis**

Technical analysts, also referred to as chartists, study only the price movements of a company's stock for an indication of how they may be changing over time. No further basic elements of the company, for example financial data or management, are taken into account. Chartist establish the historical stock price by looking at time series analysis, which takes into account only its past performance.

II. LITERATURE SURVEY

Stock Market Prediction Using Machine Learning Techniques:

Author: Mehak Usmani, Syed Hasan Adil, Syed Saad Azhar Ali, Kamran Raza

Publication Year: 2016

Journal Published: IEEE 2016

Summary of the paper: The main objective of the given research is to utilize machine learning techniques to predict whether the Karachi Stock Exchange (KSE) will experience a positive or negative market performance at day closing. A variety of factors such as oil rates, gold and silver

rates, interest rate, foreign exchange (FEX) rate, social media, and news feeds are used as input attributes to predict the market performance. Different machine learning algorithms such as Single Layer Perceptron(SLP), Multi-Layer Perceptron(MLP), Support Vector Machine(SVM), and Radial Basis Function(RBF) are compared to determine the most accurate prediction model. The results show that the Multi-Layer Perceptron(MLP) algorithm, specifically the multi-layer perceptron, outperformed the other methods.

The most helpful point in prognosticating the request was the oil painting rate trait. The end results of this exploration confirm that machine literacy ways have the capability to prognosticate the stock request performance. The Multi-Layer Perceptron algorithm of machine literacy predicts 70% correct request performance.

Share Price Trend Prediction Using CRNN with LSTM Structure:

Author: Shao-En Gao, Chuin-Mu Wang, Bo-Sheng Lin

Publication Year: 2018

Journal Published: IEEE 2018

Summary of the paper: The stock market plays a vital role in the financial market, and predicting stock price volatility is a significant research topic. This paper explores using deep learning methods and historical stock data to estimate the future stock price trend. The paper stores historical stock data over time and designs a neural network to estimate future stock prices. These trends of stocks are primarily connected to previous information about the stock prices. The neural network design includes a convolutional recurrent neural network (CRNN) for memory performance and a Long Short-term Memory (LSTM) to improve the long-term dependency of traditional RNN. The RNN LSTM architecture is used to enhance prediction accuracy and stability. The paper uses ten sets of historical stock data to check and achieves an approximate error of 3.449 RMSE

In this review, numerous methods for predicting stock prices are covered. Each strategy has benefits and drawbacks. A well-liked technique for forecasting stock prices is the CNN & LSTM algorithm, however it has difficulties such as the necessity for a lot of training data, high computing costs, stagnant training without GPU, and reliance on historical data. These problems can be solved using a hybrid strategy. Machine learning beats all conventional prediction techniques and can produce extremely accurate prediction outcomes when utilizing standard tools.

Proposed Methodology

1. Enter as a record
2. Pretreatment
3. Data division
4. Building and modeling Lstm, CNN, and LSTM+CNN hybrid approaches
5. Output as prediction result

The system presented here consists of five modules:-Attributes such as:Datasets allow open, high, low, close, and custom close prices for models that perform data processing techniques such as normalization and hot coding. The information is then divided into two groups: training and 80.20 tests. This set is then used to train a model using three different approaches.LSTM, CNN, and LSTM-CNNs hybrid approaches. Finally, all modules are estimated with their mean squared error.

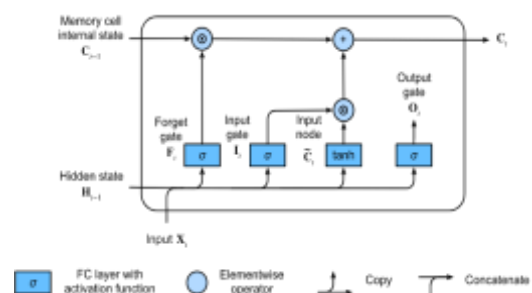
1. LSTM

There is a circuit organization of LSTM, in which there are four brain networks and numerous memory blocks called cells. There's a new structure called the memory cell in LSTM. The memory cell shall decide what information is stored and when read, then written and forgotten. There are three main gates to the memory cell:

1. The Input gate -New value is injected into the memory cell with input gate.
2. The Forget gate - the value remains in the memory cell.
3. The Output gate - The output port value of a memory cell must be used in calculating the output.

LSTM applications should be as takes after:

- Dialect Modeling
- Machine Interpretation
- Picture Captioning
- Penmanship era Address
- Replying Chatbot



2.CNN Model

Layer of CNN model:

1. Convolution
2. MAX Pooling
3. Dropout
4. Flatten
5. Dense
6. Enactment

- Convolution:

Extricate from the input picture displayed in Convolution. It yielded within the frame of a framework

- MAX Pooling

In a MAX inquiry, it recovers the biggest component from the redressed question outline.

- Dropout

Haphazardly chosen neurons are overlooked amid preparing.

- Flatten

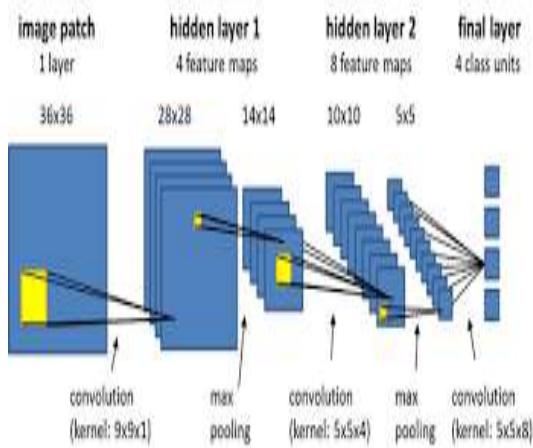
Smooth the input to a completely associated layer. It gives data in list organization.

- Dense

A straight operation where each input is related to each output by weight. Typically taken after by non-linear enactment work.

- Enactment

It utilized a sigmoid work and anticipated probabilities of and 1.



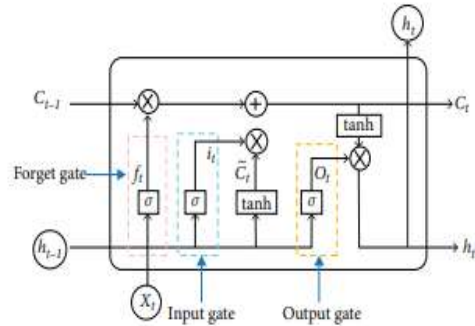
Applications of CNN includes:

- Decoding Facial Recognition
- Analyzing Documents

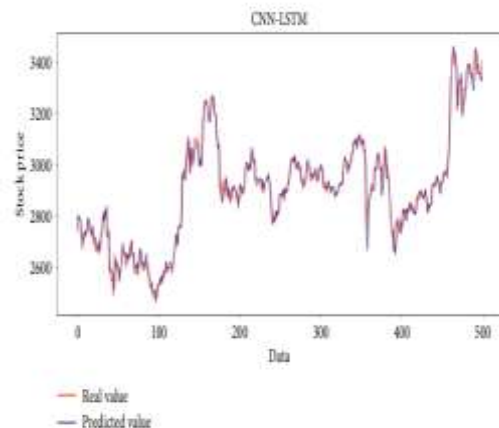
Hybrid Approach of LSTM + CNN

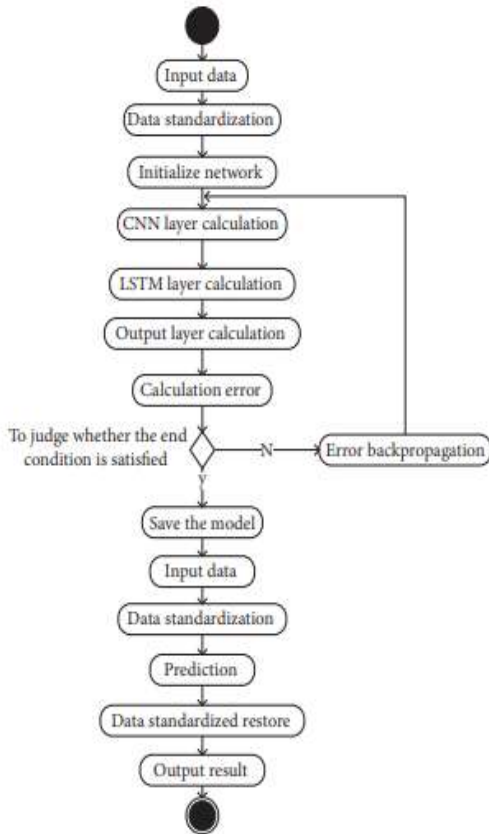
Considering Hybrid Approach, Convolutional neural systems (CNNs) offer the points of interest of selecting sensible choices and

long-term memory (LSTM) systems demonstrate sensible aptitudes. CNNs need to modify the filters of each input layer to obtain simple alternatives and CNN can be a powerful tool for feature extraction to improve prediction Capabilities of LSTMs for learning datasets considering the above.



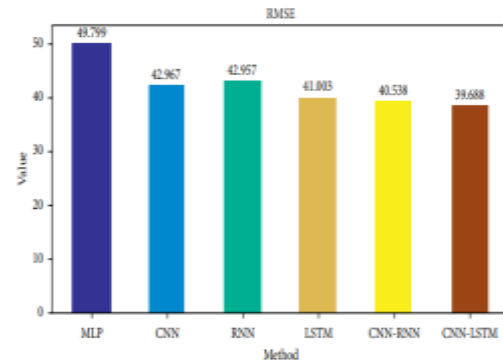
To create a new feature map, several convolution filters slide over the matrix with different sizes so that they can be used for various functions. The aggregation layer shall be used to calculate the maximum value, which is an attribute corresponding to that filter. Inputs to LSTM networks for measurements are obtained from the output vectors of the highest sharing layer. One of the advantages of LSTM is to produce vectors from a left layer as inputs, and also each cell's input shall become its own drop layer. The network's number of units is identical to this layer, with the LSTM outputs combined into one output between 0 and 1, using a fully connected layer.





III. CONCLUSION

This paper compares several machine learning models, such as LSTM, CNN, and also a hybrid approach to LSTM CNN. We tend to train with a model trained using NSE trading data that predicts future stock prices. A LSTM CNN hybrid approach was proven to be the best approach for detecting changes in trends for the predicted method. Additionally, it reveals that the method can distinguish interactions between the data and the model. It makes predictions based on information available at the time. The other two LSTM and CNN models are employed in several different time-dependent data analyses, however in this instance, the LSTM CNN hybrid technique is superior. It frequently happens as a result of the stock market's frequent adjustments. Stock market fluctuations are not always predictable or follow a steady cycle. Based on businesses, trends have distinct lifespans and remain for varying lengths of time in various industries. Investors can make more money from these cycles and trends. To increase the precision of stock price prediction, we will incorporate additional stock market data and compare more models in upcoming research.



REFERENCES

- [1]. "Stock price prediction using LSTM, RNN and CNN-sliding window model – IEEE Conference Publication." <https://ieeexplore.ieee.org/document/8126078> (accessed Dec.27, 2019).
- [2]. J. Jagwani, M. Gupta, H. Sachdeva, and A. Singhal, "Stock Price Forecasting Using Data from Yahoo Finance and Analyzing Seasonal and Nonseasonal Trend," in 2018 Second International Conference on Intelligent Computing and Control Systems (ICICCS), Madurai, India, June. 2018, pp. 462–467, doi: 10.1109/ICCONS.2018.8663035.
- [3]. I.Parmar et al., "Stock Dec. 2018, pp. 574–576, doi: 10.1109/ICSCCC.2018.8703332.
- [4]. Y. Lei, K. Zhou, and Y. Liu, "Multi-Category Events Driven Stock Price Trends Prediction," in 2018 5th IEEE International Conference on Cloud Computing and Intelligence Systems (CCIS), Nanjing, China, Nov. 2018, pp. 497–501, doi:10.1109/CCIS.2018.8691392.
- [5]. B. Jeevan, E. Naresh, B. P. V. kumar, and P. Kambli, "Share Price Prediction using Machine Learning Technique," in 2018 3rd International Conference on Circuits, Control, Communication and Computing (I4C), Bangalore, India, Oct. 2018, pp. 1–4, doi: 10.1109/CIMCA.2018.8739647.
- [6]. M. Usmani, S. H. Adil, K. Raza, and S. S. A. Ali, "Stock market prediction using machine learning techniques," in 2016 3rd International Conference on computer and Information Sciences (ICCOINS), 2016, pp. 322–327.
- [7]. J. Du, Q. Liu, K. Chen, and J. Wang, "Forecasting stock prices in two ways based on LSTM neural network," in 2019

- IEEE 3rd Information Technology, Networking, Electronic and Automation Control Conference (ITNEC), Mar. 2019, pp. 1083–1086, doi: 10.1109/ITNEC.2019.8729026.
- [8]. S. E. Gao, B. S. Lin, and C.-M. Wang, “Share Price Trend Prediction Using CRNN with LSTM Structure,” in 2018 International Symposium on Computer, Consumer and Control (IS3C), Dec. 2018, pp. 10–13, doi: 10.1109/IS3C.2018.00012.
- [9]. T. Gao, Y. Chai, and Y. Liu, “Applying long short term memory neural networks for predicting stock closing price,” in 2017 8th IEEE International Conference on Software Engineering and Service Science (ICSESS), Beijing, China, Nov. 2017, pp. 575–578, doi: 10.1109/ICSESS.2017.8342981.
- [10]. R. Y. Nivetha and C. Dhaya, “Developing a Prediction Model for Stock Analysis,” in 2017 International Conference on Technical Advancements in Computers and Communications (ICTACC), Melmaurvathur, India, Apr. 2017, pp. 1–3, doi:10.1109/ICTACC.2017.11.
- [11]. Z. Yeezy and W. Yiying, “Stock Price Prediction Based on Information Entropy and Artificial Neural Network,” in 2019 5th International Conference on Information Management (ICIM), Cambridge, United Kingdom, Mar. 2019, pp. 248–251, doi: 10.1109/INFOMAN.2019.8714662.
- [12]. “Basic LSTM Unit Transfer Function Diagram from [10] | Download ScientificDiagram.” https://www.researchgate.net/figure/Basic-LSTM-Unit-Transfer-Function-Diagram-from-10_fig8_308804546 (accessed Jun. 03, 2020).
- [13]. “Fig. 1: An example of CNN architecture.” ResearchGate.https://www.researchgate.net/figure/An-example-of-CNN-architecture_fig1_320748406 (accessed Jun. 03, 2020).
- [14]. Y. Kim, “Convolutional Neural Networks for Sentence Classification,” in Proceedings of the 2014 Conference on Empirical Methods in Natural Language Processing (EMNLP), Doha, Qatar, Oct. 2014, pp. 1746–1751, doi: 10.3115/v1/D14-1181.
- [15]. B. Athiwaratkun and K. Kang, “Feature Representation in Convolutional Neural Networks,” ArXiv150702313 Cs, Jul. 2015, Accessed: Apr. 14, 2020. [Online]. Available:<http://arxiv.org/abs/1507.02313>.
- [16]. F. A. Gers, D. Eck, and J. Schmidhuber, “Applying LSTM to Time Series Predictable through Time-Window Approaches,” in Artificial Neural Networks — ICANN 2001, Berlin, Heidelberg, 2001, pp. 669–676, doi: 10.1007/3-540-44668-0_93.
- [17]. J. Han and C. Moraga, “The Influence of the Sigmoid Function Parameters on the Speed of Backpropagation Learning,” in Proceedings of the International Workshop on Artificial Neural Networks: From Natural to Artificial Neural Computation, Berlin, Heidelberg, Jun. 1995, pp. 195–201, Accessed: Apr. 13, 2020. [Online].
- [18]. “NSE Listed 1000+ Companies’ Historical Data.” <https://kaggle.com/abhishekyana/nse-listed-1384-companies-data> (accessed Jul. 07, 2020).
- [19]. A. Tipirisetty, “Stock Price Prediction using Deep Learning,” p. 60.
- [20]. “Python Numpy Tutorial | Learn Numpy Arrays With Examples,” Edureka, Jul. 14, 2017. <https://www.edureka.co/blog/python-numpy-tutorial/> (accessed Apr. 21, 2020).