

# Prevention of pressure ulcer by using Peltier module

Saranvethaprasad.S<sup>1</sup>, Harish.A<sup>1</sup>, Sandosh.M<sup>1</sup>, Sheshathiri.S<sup>1</sup>,  
D.Nithiya Priya<sup>2</sup>

<sup>1</sup>Student, Rajiv Gandhi College of Engineering and Technology, Kirumampakkam, Puducherry.

<sup>2</sup>Assistant Professor, Rajiv Gandhi College of Engineering and Technology, Kirumampakkam, Puducherry.

Corresponding Author: Saranvethaprasad.S

Submitted: 15-07-2021

Revised: 29-07-2021

Accepted: 31-07-2021

**ABSTRACT:** Bedsores also said as pressure ulcers leads to injuries to skin and underlying tissue succeeding from prolonged pressure on the skin. Bedsores most often develop on skin that covers bony areas of the body, just like the heels, ankles, hips and tailbone. people most at risk of bedsores are those with a medical condition that limits their ability to change positions or those who spends most of their time in an extremely bed or chair. This paper outlines an anti-bed sore bed that could be a medical device that forestalls or delays prevalence of pressure ulcers by assuaging contact pressure exerted on a patient because of a contact with a bed. during this work, a Peltier module and a fan are fitted in a bed to cut back the temperature and wetness within the bed to optimum condition to stop pressure ulcers. The bed set consists of quite four Peltier modules and a brushless fan aligned with a patient's head, hip, thighs and heels that are usually the bedsores occurring areas. The air flow and temperature changes sporadically as per needed mistreatment controller unit. this may conjointly scale back the patient uncomfortable conditions.

**KEYWORDS:** Pressure Ulcer, Peltier Module, Arduino.

## I. INTRODUCTION

Bedsores also called as pressure ulcers or decubitus ulcers are injuries to skin and underlying tissues resulting from prolonged pressure on the skin. They happen when a patient lies or sits in one position too long and the weight of your body against the surface of the bed or chair cuts off the blood supply. Without treatment these bedsores can get worse and deepen the pressure. It is necessary for the patient to keep moving or change positions for every 4 hours interval. Some of the bedridden patients may stay at home and take care by the caretaker. This is not possible for the poor patients and so they are reliable on the variety of anti bed sore products that are capable of cutting back the risk of pressure build by moving contact points between patient and also the support. The required components such as Peltier modules and brushless fans with air ducts are fixed under the cushion of the generic bed. The objective is that to

propose a design of a new anti-bed sore mechanism such that there will be no chance of defects in the existing products. The design to be proposed is that the components are installed below with the mattress of the regular hospital bed. The installation of component comes with four sections and each can work independently. But the temperature and the fan's RPM is being controlled by the ECU (Electronic Control Unit) board. Thus, all modules work in a simultaneous pattern.

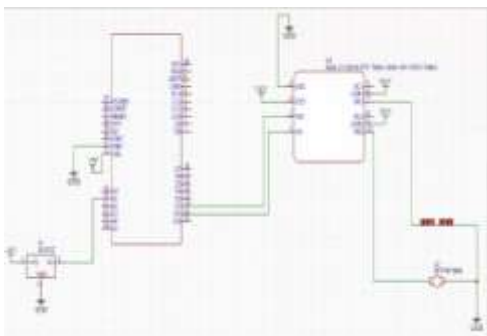
## II. LITERATURE SURVEY

Pressure ulcers keep as a significant pathological state touching preparing to several million adults. they are price and Utilization Project (HCUP) report found from 1993 to 2003 a sixty three hundred increase in pressure ulcers, but the whole vary of hospitalization throughout presently quantity exaggerated by wholly eleven cyphers. Pressure ulcers square measure high priced with a median charge per keep of \$37,800. Among the fourth annual Health Grades Patient Safety within the bar of pressure ulcers square measure going to be a multidisciplinary responsibility, nurses play an enormous role. In 1992, the U.S. several of the proof on preventing pressure ulcers was supported Level 3 proof, skilful opinion, and panel agreement, still it served as a foundation for providing care. Mortality is additionally associated with pressure ulcers. Several studies noted mortality rates as high as sixty you take care of old persons with pressure ulcers within one year of hospital discharge. Most often, pressure lesions do not cause death; rather the pressure lesion develops once a consecutive decline in health standing. Pressure ulcers develop on capillaries offer the skin and covering tissue square measure compressed enough to impede movement, leading ultimately to tissue. Since 1930, we have understood that a unit level within capillaries ranges from twenty to 40 mmHg; 32 mmHg is taken into thought today. A key part of analysis studies that have according reduction of pressure ulcers is that the a result of sustain the momentum over time, notably on the flexibility champion leaves the institution. It's clear from the proof that maintaining a culture of pressure ulceration bar in degree terribly care setting may be a significant challenge, one that desires the support of administration therefore the attention of clinicians. In 1994, AHR

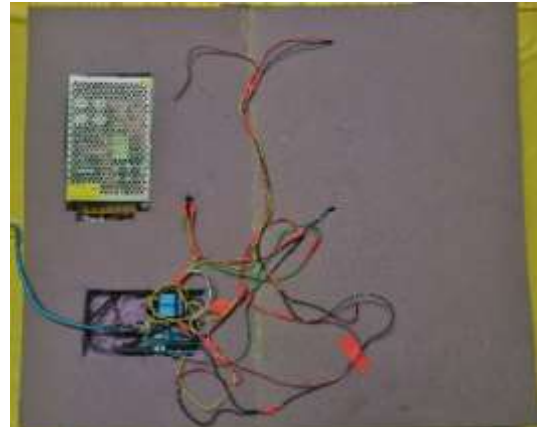
Qwhollyscanclinicalfollowrecommendationsontreati  
ngpressureulcers.copiousoftheproofrelatedtotreating  
pressureulcerswassupportedLevelCproof,requiringo  
neoradditionalofthefollowing:onecontrolledtrial, resu  
lts of a minimum of two cases series/descriptive studies in  
humans, or older opinion. The role of protein-calorie path  
ological state and pressure ulceration development rema  
ins under studied. Moreover, analysis into dietary suppl  
ements (vitamins, minerals, etc.) among the absence of di  
etary deficiency is lacking. Extra nursing studies unit of a  
ctivity needed to analysis whether or not or not the utilizati  
on of dietary supplements has any result on pressure ulcer  
ation bar. Recent nursing studies prompt that a comprehe  
nsive approach to bar can cause important decreases in pr  
essure ulceration incidence. However, studies work way  
sin which to sustain these decreases in pressure ulceratio  
n development unit of activity greatly needed. Extra anal  
ysis is additionally needed to additional our understandin  
g of risk level and meter analysis of preventive measures.

### III. EXPERIMENTATION

ASMP(Switch mode power supply) is used to  
convert AC to DC, where all the used in this project are run  
sin DC. The main processing unit used in this project is Ar  
duino UNOR3 which uses a ATmega328 microcontrolle  
r, the Arduino UNOR3 is powered by 12VDC from SMP  
S through barrel connector. The LM35 is used as a input  
temperature sensor because it has a wider range of temperat  
ure range between 55°C to 150°C also it operates in a volta  
ge of 5VDC and it draws about 60µA of current, the output  
from the LM35 sensor are connected to A0, A1 analog ei  
nput pins of Arduino. A digital signal generated by Ardui  
no based on the input programme (code) produced in digit  
al pins D1 and D2 which to transmitted to Dual channel rel  
ay uses the 5VDC from the SMPS to switch the Peltier mo  
dule depends on the various scenarios, the Peltier module  
draws 12VDC, 10A (12W) from the SMPS when relay tur  
ns ON, then the Peltier module becomes either cool or heat  
depending upon the ambient temperature the Aluminium  
heat spreader with air ducts are used to dissipate the te  
mperature quickly to maintain the proper airflow Brushl  
ess Fans are used which uses 12VDC each from the SMPS  
unit. This process is cyclic event when there are changes i  
n temperature the operation gets started and executed.



### LINE CIRCUIT DIAGRAM



CIRCUIT WIRE CONNECTION

### Source Code For The Microprocessor:

```
int sensorPin1=A0;
int sensorPin2=A1;
float sensorValue1=0;
float sensorValue2=0;
float voltageOut1=0;
float temperatureC1=0;
float voltageOut2=0;
float temperatureC2=0;
int relay_1=3;
int relay_2=4;
void setup()
{
  pinMode(sensorPin1,INPUT);
  pinMode(sensorPin2,INPUT);
  pinMode(relay_1,OUTPUT);
  pinMode(relay_2,OUTPUT);
  Serial.begin(9600);
  digitalWrite(relay_1,LOW);
  digitalWrite(relay_2,LOW);
}
void loop()
{
  sensorValue1 = analogRead(sensorPin1);
  voltageOut1 = (sensorValue1 * 5000) / 1024;
  temperatureC1 = voltageOut1 / 10;
  sensorValue2 = analogRead(sensorPin2);
  voltageOut2 = (sensorValue2 * 5000) / 1024;
  temperatureC2 = voltageOut2 / 10;
  Serial.print("Temperature(°C)1: ");
  Serial.print(temperatureC1);
  Serial.print(" Voltage(mV)1: ");
  Serial.println(voltageOut1);
  Serial.print("Temperature(°C)2: ");
  Serial.print(temperatureC2);
  Serial.print(" Voltage(mV)2: ");
  Serial.println(voltageOut2);
  delay(1000);
  if(temperatureC1>37.5)
```

```
{
digitalWrite(relay_1,HIGH);
digitalWrite(relay_2,LOW);
Serial.print(" cooling ON ");
}
else if(temperatureC1<37.5)
{
digitalWrite(relay_1,LOW);
digitalWrite(relay_2,HIGH);
Serial.print(" heating ON ");
}
else
{
digitalWrite(relay_1,LOW);
digitalWrite(relay_2,LOW);
Serial.print(" BOTH OFF ");
}
if(temperatureC2>37.5)
{
digitalWrite(relay_1,HIGH);
digitalWrite(relay_2,LOW);
Serial.print(" cooling ON ");
}
else if(temperatureC2<37.5)
{
digitalWrite(relay_1,LOW);
digitalWrite(relay_2,HIGH);
Serial.print(" heating ON ");
}
else
{
digitalWrite(relay_1,LOW);
digitalWrite(relay_2,LOW);
Serial.print(" BOTH OFF ");
}
}
```

#### IV. OBSERVATION FROM THE TEST CONDUCTED

When the power supply is switched ON according to the programme feed in the Arduino the temperature is measured by the LM35 sensors and when temperature drops from 37.5°C in bed the dual channel relay switch ON the heating element of Peltier module, It takes around 2.34 minutes to attend the optimal temperature of 37°C, And in different scenario when the temperature to exceeds 37.5°C the Arduino switch ON the cooling element of Peltier module and it takes one and 5 minutes to completely cools and attend the 37.5°C mark and when it achieves the 37.5°C make it shut down whole process and when there is a change in temperature again it starts the programme according to the condition. Also, the brushless fans run 24\*7 to improves air circulation.

#### V. CONCLUSION

Thus, by looking from the project the overall result is observed, our main objective is to prevent the pressure ulcer by means of simple and affordable components. There other platform with similar objective but compare to that ours is affordable. It is good replace for the conventional hospital beds for a bed ridden persons, it is fully automated it requires less militance and also it consumes less power. It also reduces the manpower required to watch after the bed ridden persons. In the future it could be improved and adds the Iot(Internet of things) and AI to enhance the efficacy of the machine which shows it is more advance than the existing systems. And it may use in the future to minimizing the rate of pressure ulcer.

#### REFERENCES

- [1] Lida Khaleghi, Salman Farsi, A Review on Equipped Hospital Beds with Wireless Sensors Networks for Reducing Bedsores ,2018.
- [2] Jeff A. Beaty\* and Timothy M. Sauer, The Efficacy of Goodmark Medical's Solution Using the BAM Labs® Smart BedTechnology™ in the Prevention of Pressure Ulcers,2014.
- [3] M. L. Chanpur 1 and Dr. (Mrs.) N.R. Rajhans 2, Neela Ravindra Rajhans , Ergonomic Bed to reduce bedsores for bedridden patient ,2011.
- [4] R. Yousefi1, S. Ostadabbas1, M. Faezipour1, M. Nourani1, V. Ng1, L. Tamil1, A. Bowling2, D. Behan3 and M. Pompeo4 A Smart Bed Platform for Monitoring & Ulcer Prevention,2011.